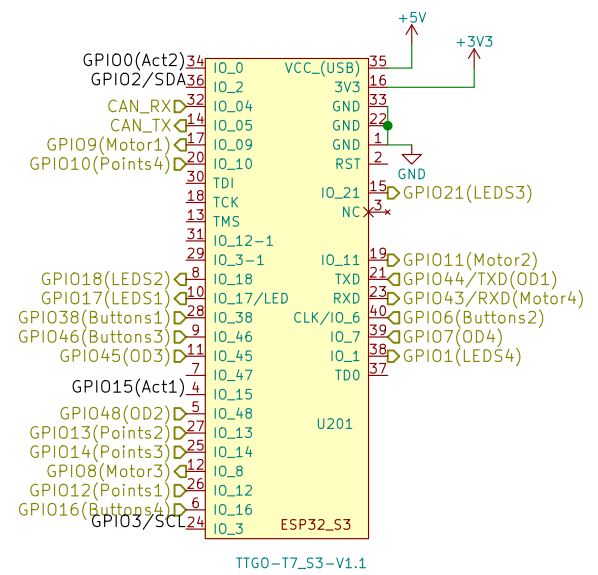
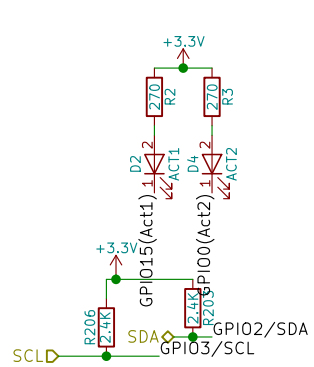


Main Sheet	
Deepwoods Software	
Sheet: /	
File: ESP32-T7S3-MultiFunctionUniversalTurnout.sch	
Title: ESP32 S3 Multifunction Board Universal Turnout	
Size: USLetter	Date:
KiCad E.D.A. kicad 4.0.7+dfsg1-1ubuntu2	Rev: 1.0
	Id: 1/7

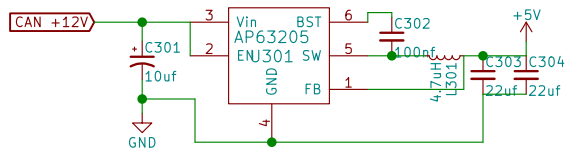


Deepwoods Software

Sheet: /ESP32 MCU/
File: ESP32-MCU.sch

Title: ESP32 S3 Multifunction Board Universal Turnout

Size: A4	Date:	Rev: 1.0
KiCad E.D.A. kicad 4.0.7+dfsg1-1ubuntu2		Id: 2/7



Power Supply

Deepwoods Software

Sheet: /Power Supply/

File: PowerSupply.sch

Title: ESP32 S3 Multifunction Board Universal Turnout

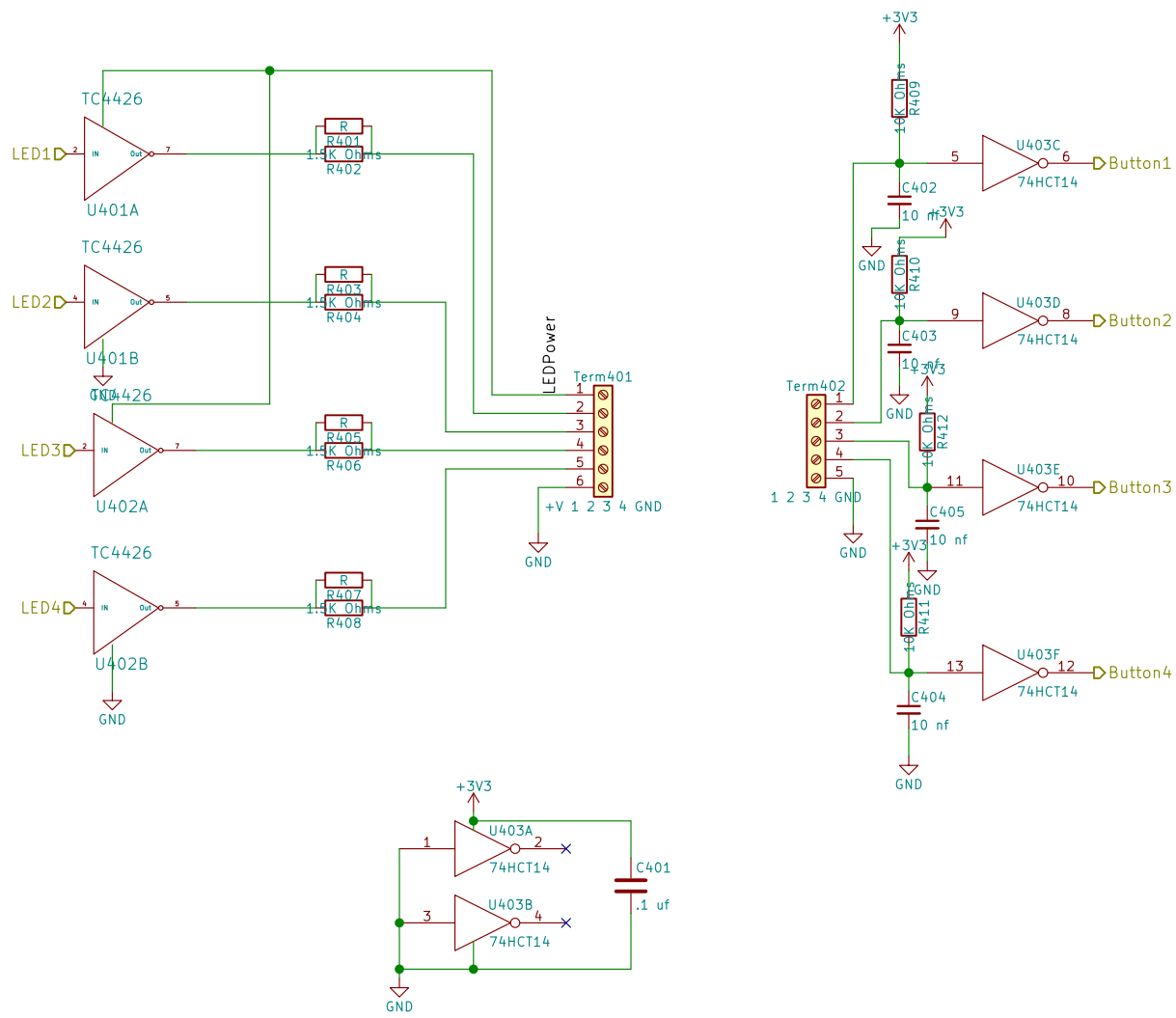
Size: USLetter

Date:

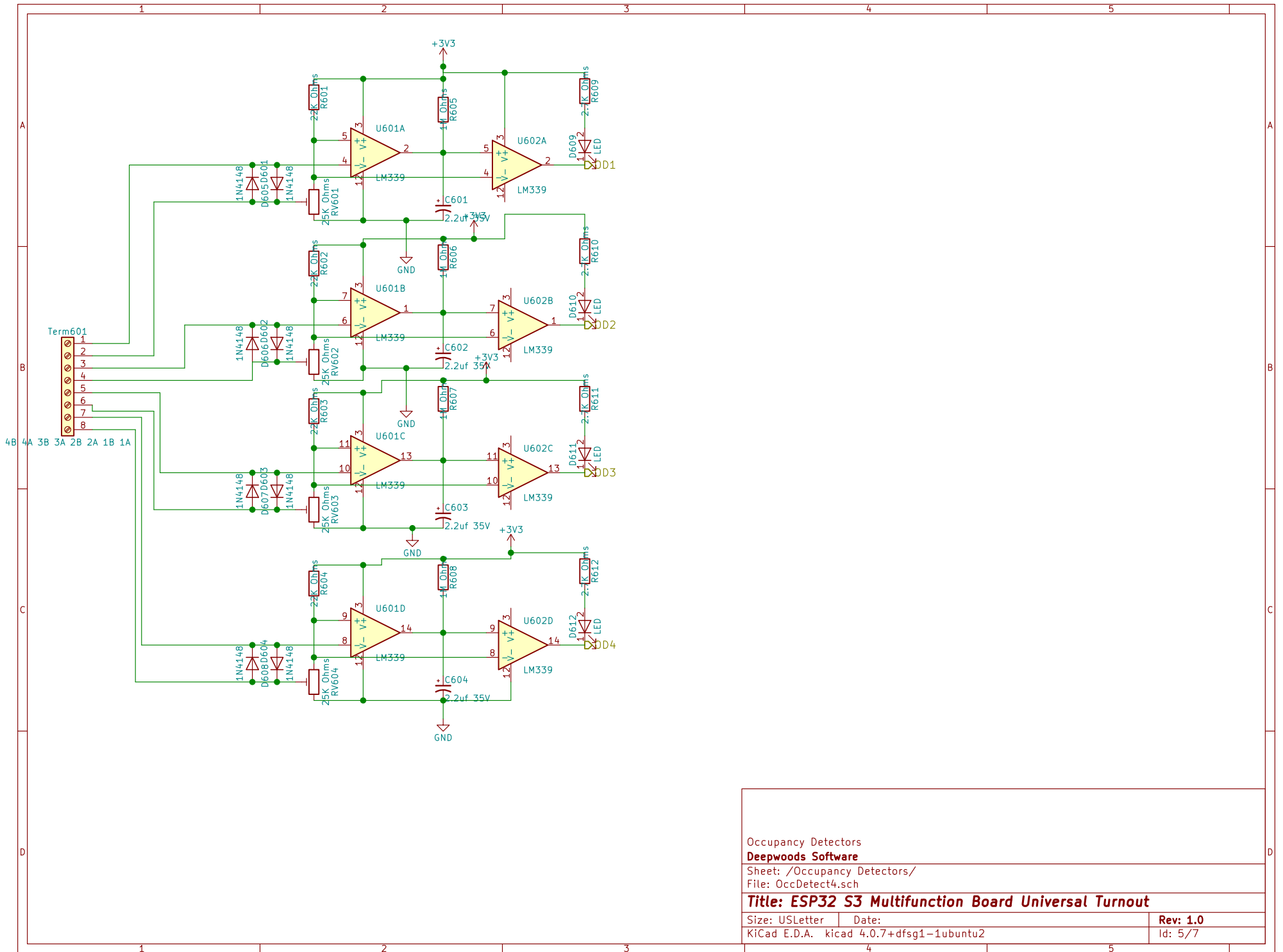
Rev: 1.0

KiCad E.D.A. kicad 4.0.7+dfsg1-1ubuntu2

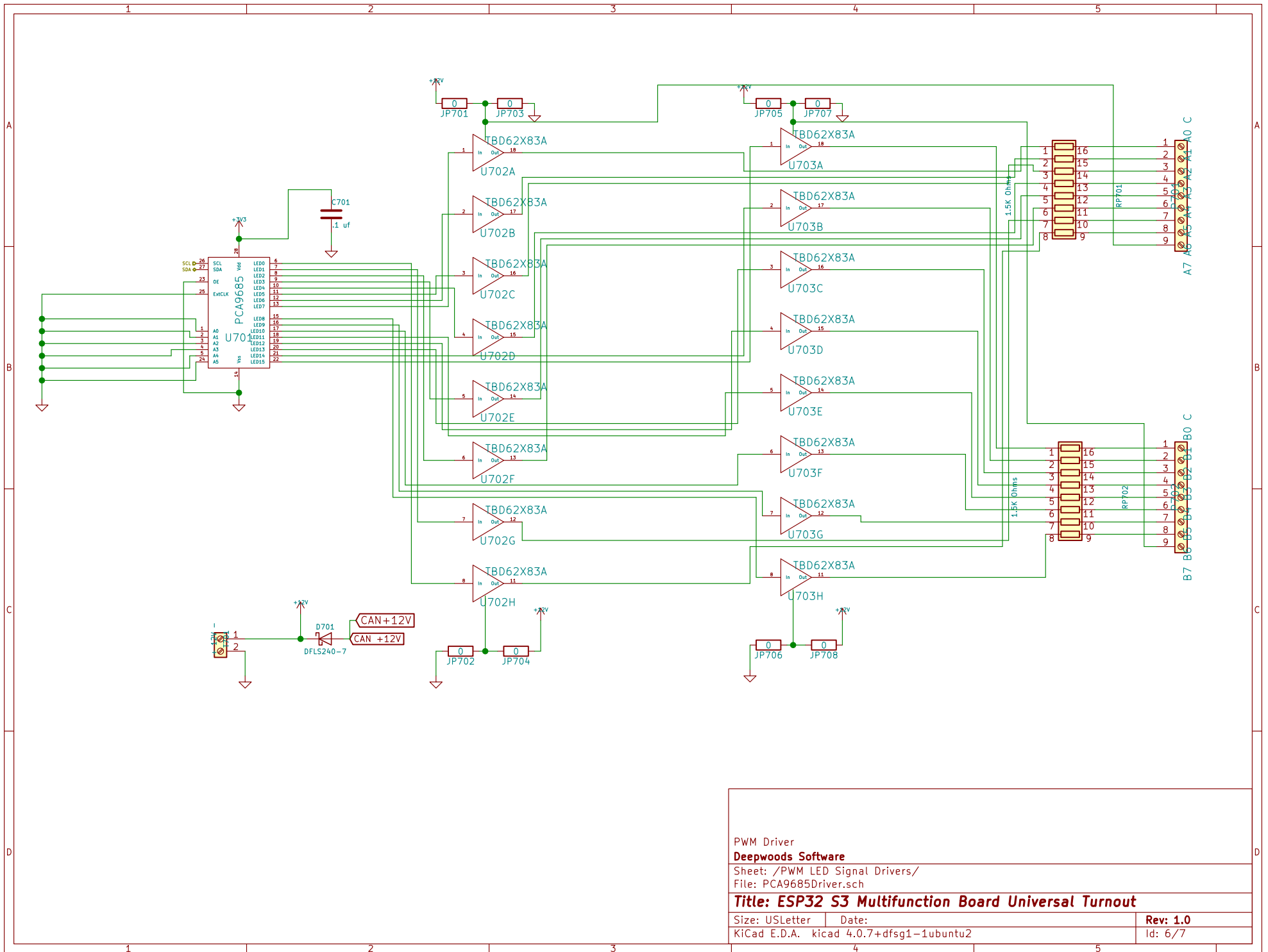
Id: 3/7



Generic Buttons and LEDs
Deepwoods Software
 Sheet: /Buttons and LEDs/
 File: Buttons4LEDs4.sch
Title: ESP32 S3 Multifunction Board Universal Turnout
 Size: USLetter Date: **Rev: 1.0**
 KiCad E.D.A. kicad 4.0.7+dfsg1-1ubuntu2 Id: 4/7

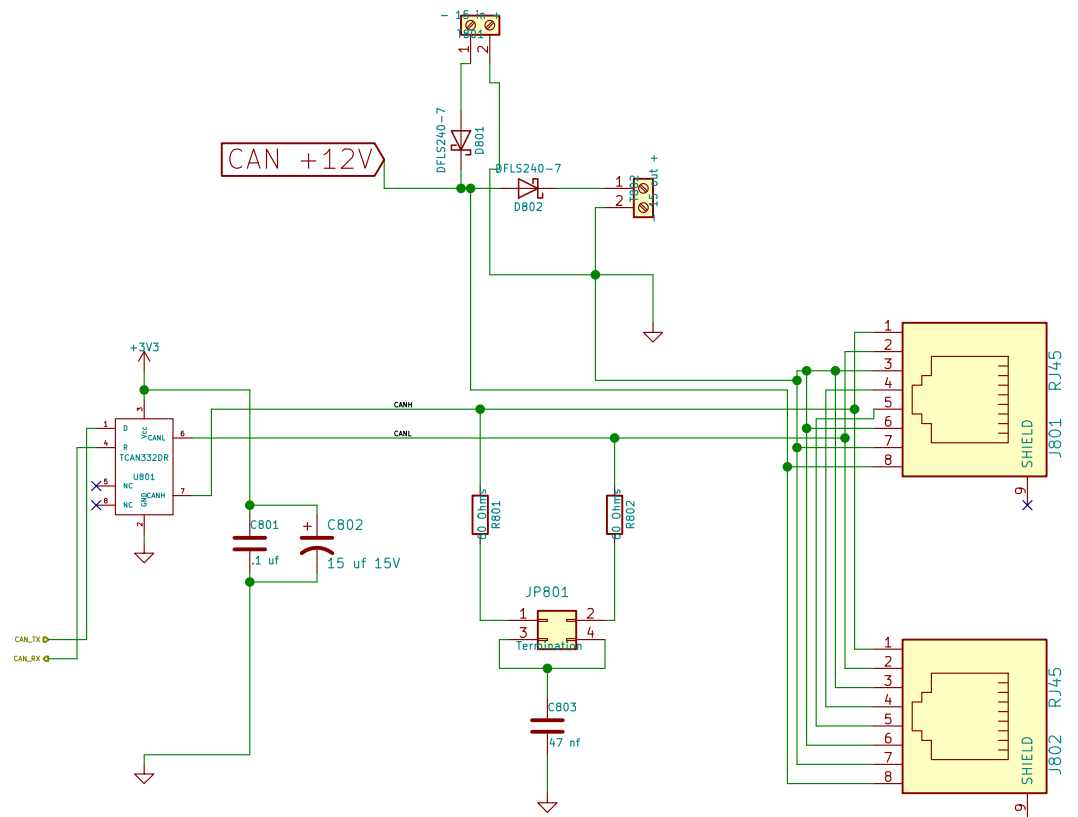


Occupancy Detectors			
Deepwoods Software			
Sheet: /Occupancy Detectors/			
File: OccDetect4.sch			
Title: ESP32 S3 Multifunction Board Universal Turnout			
Size: USLetter	Date:	Rev: 1.0	
KiCad E.D.A.	kicad 4.0.7+dfsg1-1ubuntu2	Id: 5/7	



PWM Driver
Deepwoods Software
 Sheet: /PWM LED Signal Drivers/
 File: PCA9685Driver.sch
Title: ESP32 S3 Multifunction Board Universal Turnout

Size: USLetter	Date:	Rev: 1.0
KiCad E.D.A. kicad 4.0.7+dfsg1-1ubuntu2		Id: 6/7



CAN Transceiver
Deepwoods Software
 Sheet: /CAN Transceiver/
 File: CAN_Transceiver.sch
Title: ESP32 S3 Multifunction Board Universal Turnout

Size: USLetter	Date:	Rev: 1.0
KiCad E.D.A. kicad 4.0.7+dfsg1-1ubuntu2		Id: 7/7